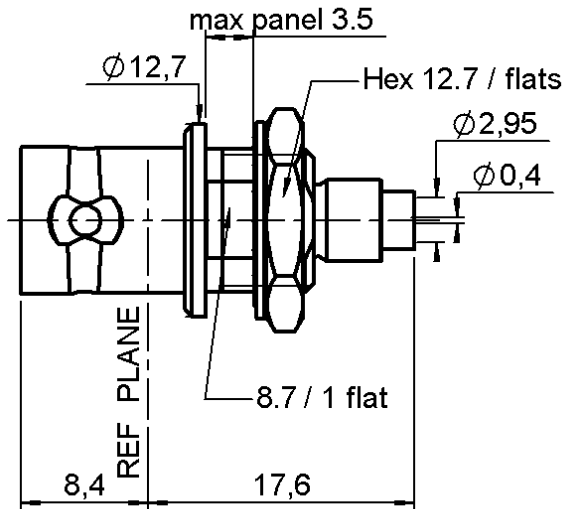


STRAIGHT BULKHEAD JACK FRONT MOUNT

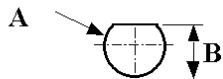
CRIMP TYPE - CABLE 2.6/75 S

R142.306.500

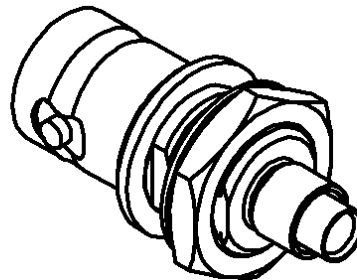
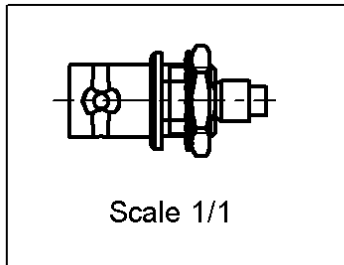
Series : BNC 75-COM



PANEL CUT OUT



	mm	
	Maxi	mini
A	9.6	9.7
B	8.85	8.75



All dimensions are in mm.



COMPONENTS	MATERIALS	PLATINGS (µm)
BODY	BRASS	NICKEL 2
CENTER CONTACT		GOLD 0.2 OVER NICKEL 2
OUTER CONTACT	-	
INSULATOR	-	
GASKET	-	
OTHERS PARTS	BRASS	NICKEL 2
-	-	-
-	-	-

Issue : 0307 B

In the effort to improve our products, we reserve the right to make changes judged to be necessary.



STRAIGHT BULKHEAD JACK FRONT MOUNT

R142.306.500

CRIMP TYPE - CABLE 2.6/75 S

Series : BNC 75-COM

PACKAGING

Standard	Unit	Other
100	-	Contact us

SPECIFICATION

CABLE ASSEMBLY

ELECTRICAL CHARACTERISTICS

Stripping	a	b	c	d	e	f
mm	3.00	10.0	0.00	0.00	5.00	1.50

Impedance		75 Ω
Frequency		0-1.5 GHz
VSWR	NA +	0.000 x F(GHz) Maxi
Insertion loss		NA √F(GHz) dB Maxi
RF leakage	- (NA - F(GHz)) dB mini
Voltage rating		335 Veff Maxi
Dielectric withstanding voltage		1000 Veff mini
Insulation resistance		5000 MΩ mini

Assembly instruction :

Recommended cable(s)

RG 179

RG 187

Cable retention

- pull off **40** N mini

- torque **NA** N.cm

MECHANICAL CHARACTERISTICS

TOOLING

Center contact retention		
Axial force – Mating end	10	N mini
Axial force – Opposite end	10	N mini
Torque	NA	N.cm mini

Part Number	Description	Hexagon
.	.	.
R282.223.000	CRIMPING TOOL	1.73
R282.211.000	CRIMPING TOOL	4.52
R282.235.011	CRIMPING DIES	1.73
R282.235.009	CRIMPING DIES	4.52
R282.293.000	CRIMPING TOOL	-

Recommended torque		
Mating	NA	N.cm
Panel nut	250	N.cm
Clamp nut	NA	N.cm
A/F clamp nut	0.000	mm

OTHERS CHARACTERISTICS

Mating life	100	Cycles mini
Weight	6.600	g

ENVIRONMENTAL

Operating temperature	-35/+70	° C
Hermetic seal	NA	Atm.cm3/s
Panel leakage	NA	

Issue : 0307 B

In the effort to improve our products, we reserve the right to make changes judged to be necessary.

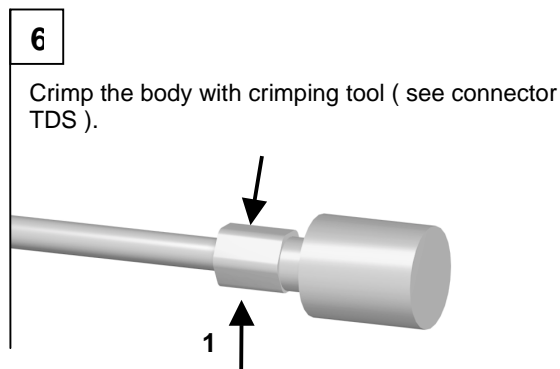
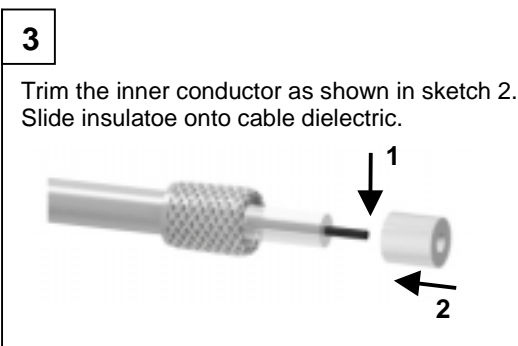
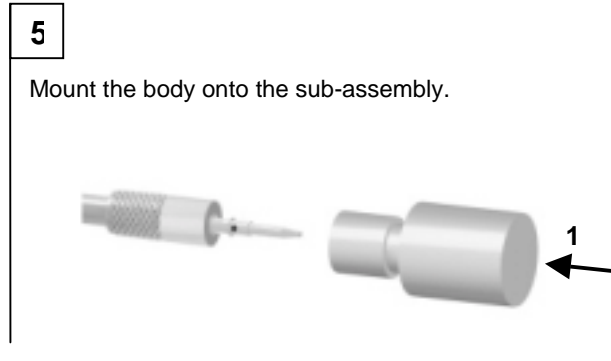
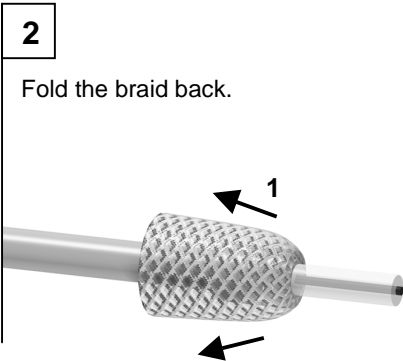
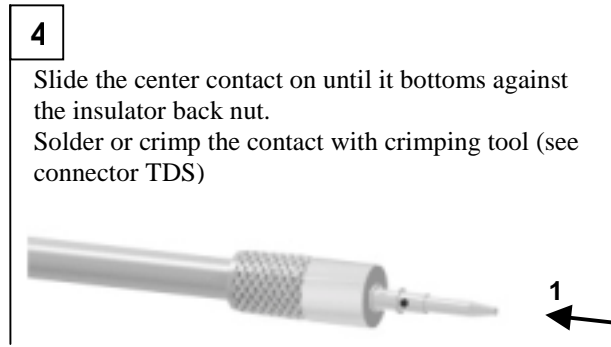
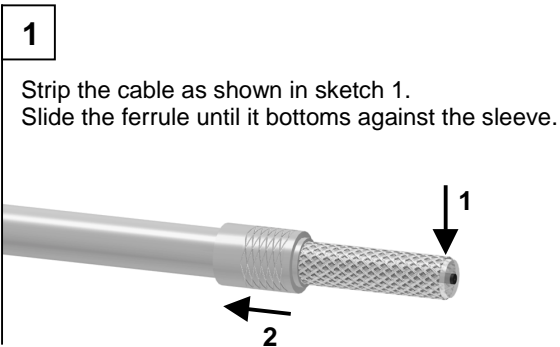
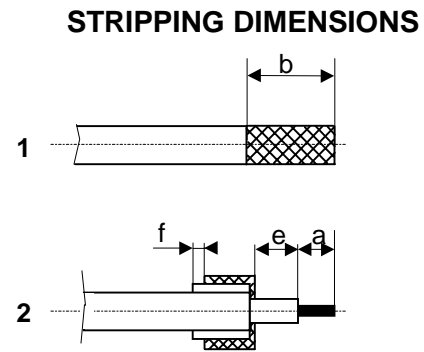
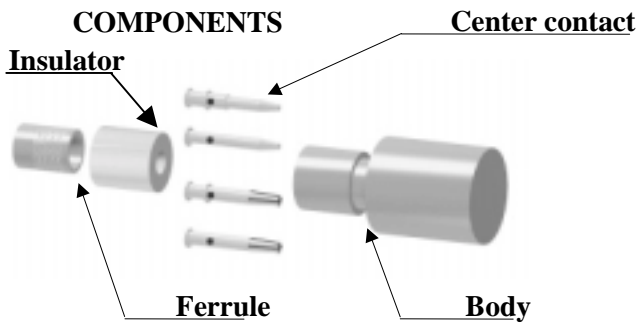


STRAIGHT BULKHEAD JACK FRONT MOUNT

R142.306.500

CRIMP TYPE - CABLE 2.6/75 S

Series : BNC 75-COM



Issue : 0307 B

In the effort to improve our products, we reserve the right to make changes judged to be necessary.

